

# Technical data KSS150

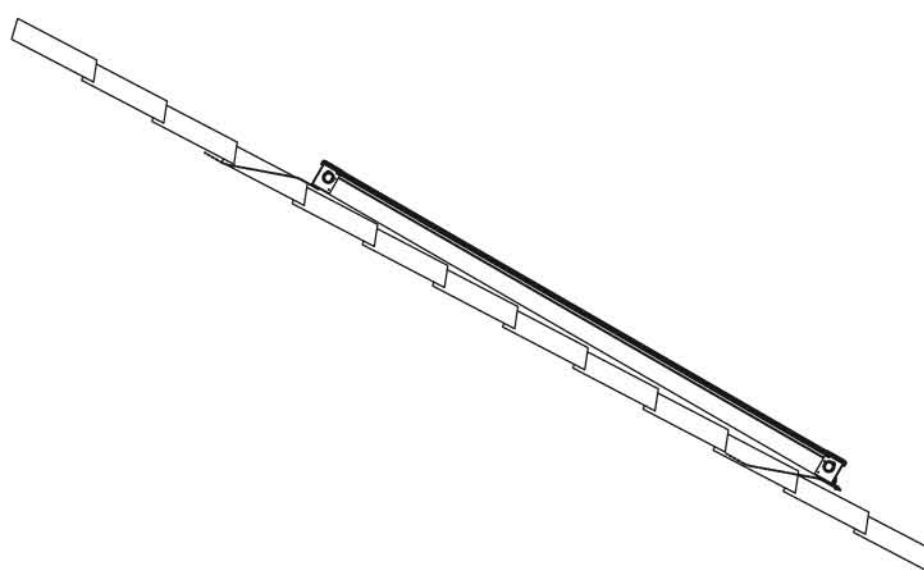
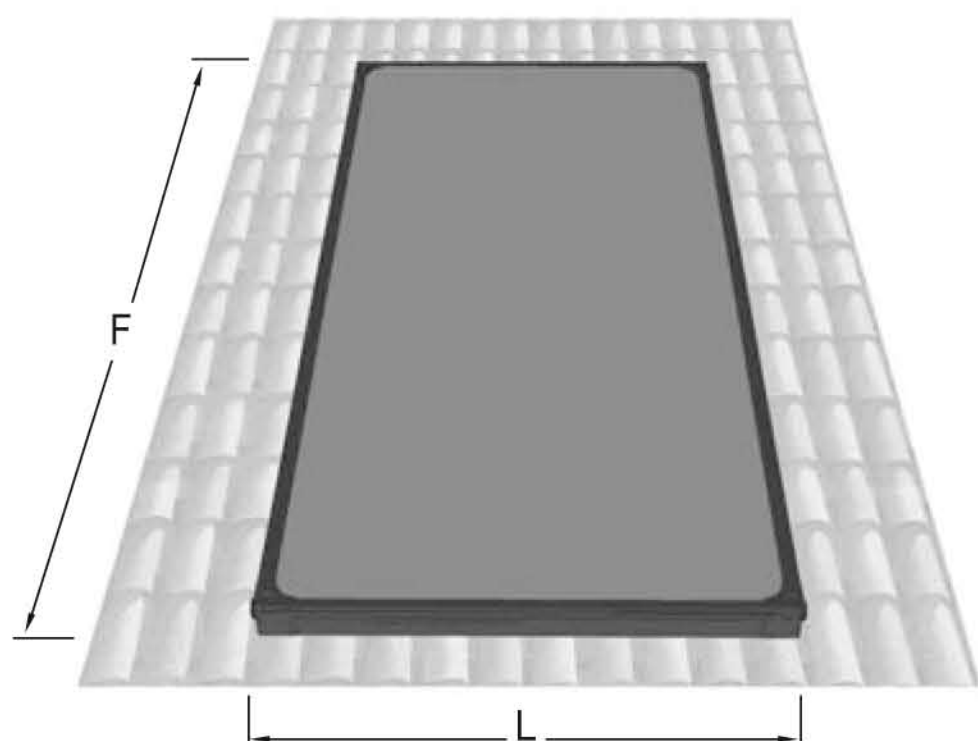
# KOALA series



Q.ty	Components	Code	Base
1	Solar Panel Koala 2.0 Cu Black	KOAMD2VNN	✓
1	Support structure for pitched roof	STCFMD21F	✓
1	Enameled solar boiler with cavity, 150 liters	B1V0150F1	✓
1	Solar circuit 8 liters expansion vessel	IDRVE008L	✓
1	Preassembled solar station	GPMCRF1ST	✓
1	Digital control unit, with sensors	ELETCNTD3	✓
5	Monopropylene glycol - liters	IDRLQGLCL	✓

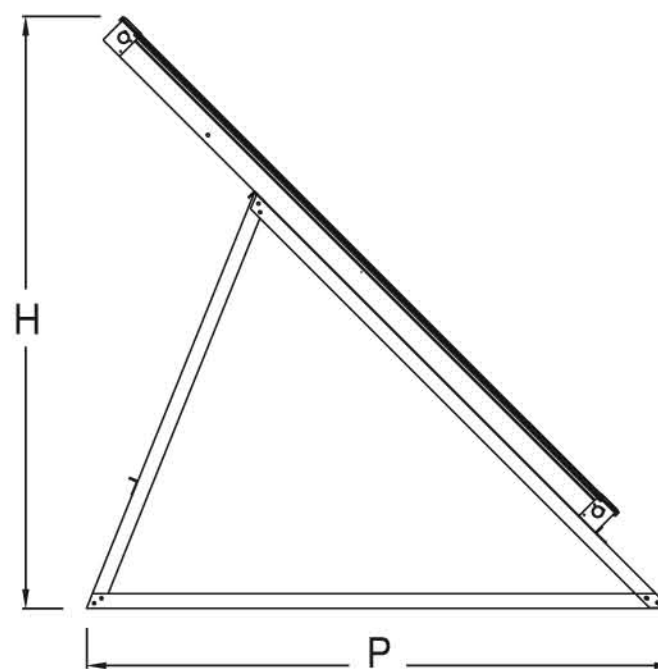
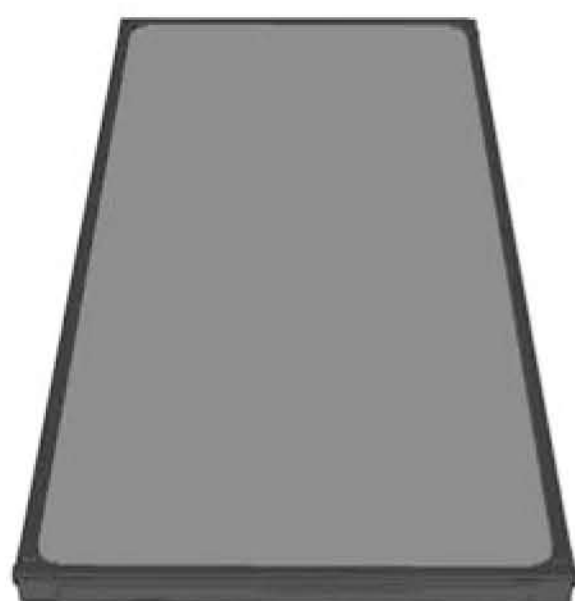
### PITCHED ROOF

Mod.	Roof	Solar storage tank	Code
KSS150	Pitched	Single coil	KSS0150FB1



### FLAT ROOF

Mod.	Roof	Solar storage tank	Code
KSS150	30°	Single coil	KSS0150EB1
	45°		KSS0150IB1



Overall dimensions: **flat roof** LxPxH = 1200x2000x1650 mm empty weight 80 kg  
**pitched roof** LxF = 1200x2200 mm empty weight 60 kg